

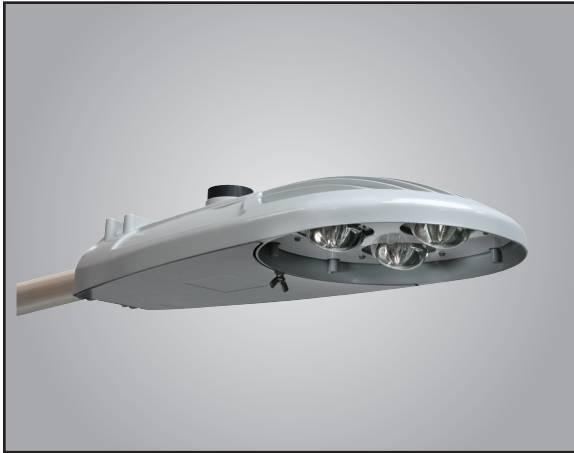


Consistent with LEED® goals & Green Globes™ criteria for light pollution reduction

Autobahn Series ATBM

Roadway

PRODUCT OVERVIEW



Applications:

- Residential streets
- Parking lots
- High speed roadways

Features:

OPTICAL

Same Light: Performance is comparable to 150W – 250W HPS

White Light: Correlated color temperature - standard 4000K, 70 CRI minimum or optional 5000K, 70 CRI minimum.

IP66 rated borosilicate glass optics ensure longevity and minimize dirt depreciation. Unique IP66 rated LED light engines provide 0% uplight and restrict backlight to within sidewalk depth, providing optimal application coverage and optimal pole spacing.

Available distributions are Type II, III, IV, & V roadway distributions.

ELECTRICAL

Expected Life: LED light engines are rated >100,000 hours at 25°C, L70. Electronic driver has an expected life of 100,000 hours at a 25°C ambient.

Lower Energy: Saves an expected 40-60% over comparable HID luminaires.

Robust Surge Protection: Three different surge protection options provide a minimum of IEEE/ANSI C62.41 Category C (10kV/5kA) protection.

MECHANICAL

Includes standard AEL lineman-friendly features such as tool-less entry, 3 station terminal block and quick disconnects. Bubble level located inside the electrical compartment for easy leveling at installation.

Rugged die-cast aluminum housing and door are polyester powder-coated for durability and corrosion resistance. Rigorous five-stage pre-treating and painting process yields a finish that achieves a scribe creepage rating of 8 (per ASTM D1654) after over 5000 hours exposure to salt fog chamber (operated per ASTM B117).

Mast arm mount is adjustable for arms from 1-1/4" to 2" (1-5/8" to 2-3/8" O.D.) diameter. The 2 – bolt and optional 4 bolt clamping mechanism provide 3G vibration rating per ANSI C136.

The Wildlife shield is cast into the housing (not a separate piece).

CONTROLS

NEMA 3 pin photocontrol receptacle is standard, with the Acuity designed ANSI standard 5 pin and 7 pin receptacles optionally available.

Premium solid state locking-style photocontrol – PCSS (10 year rated life)
Extreme long life solid state locking-style photocontrol – PCL1 (20 year rated life).

Extreme long life solid state locking-style photocontrol with on demand remote on/off control - PCCC (15 year rated life).

Optional onboard Adjustable Output module allows the light output and input wattage to be modified to meet site specific requirements, and also can allow a single fixture to be flexibly applied in many different applications.

STANDARDS

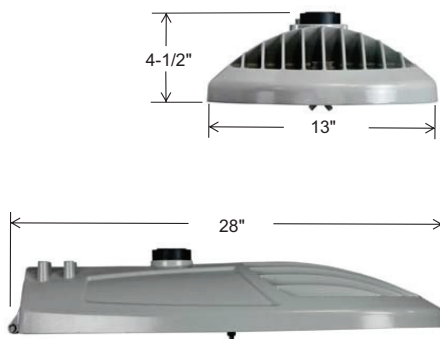
DesignLights Consortium® (DLC) qualified product. Not all versions of this product may be DLC qualified. Please check the DLC Qualified Products List at www.designlights.org/QPL to confirm which versions are qualified.

Rated for -40°C to 40°C ambient

CSA Certified to U.S. and Canadian standards

Complies with ANSI: C136.2, C136.10, C136.14, C136.31, C136.15, C136.37

DIMENSIONS



Effective Projected Area (EPA)
The EPA for the ATBM is 0.3 sq. ft.,
Approx. Wt. = 21 lbs. (9.5 kg)

Autobahn Series ATBM

Roadway

ORDERING INFORMATION

Example: ATBM A MVOLT R2

Series	Performance Packages	Voltage	Optics	Mounting
ATBM Autobahn LED Roadway	A 7,000 lumens B 8,000 lumens C 9,000 lumens D 11,600 lumens E 13,400 lumens F 15,700 lumens G 16,600 lumens H 17,400 lumens	MVOLT Multi-volt, 120-277V 347 347V 480 480V	R2 Roadway Type II R3 Roadway Type III R4 Roadway Type IV R5 Roadway Type V	(Blank) 2 Bolt Mounting 4B 4 Bolt Mounting

Options

Color Temperature (CCT)

(Blank) 4000K CCT, 70 CRI Min.
5K 5000K CCT, 70 CRI Min.

Paint

(Blank) Gray
BK Black
BZ Bronze
DDB Dark Bronze
GI Graphite
WH White

Surge Protection

(Blank) Acuity SPD
MP MOV Pack¹
IL SPD with Indicator Light¹

Miscellaneous Options

HSS House Side Shield
NL NEMA Label Indicating Wattage
XL Not CSA Certified – No Terminal Block Cover

Control Options

(Blank) 3 Pin NEMA Photocontrol Receptacle
P5 5 Pin Photocontrol Receptacle (dimnable driver included)²
P7 7 Pin Photocontrol Receptacle (dimnable driver included)²
NR No Photocontrol Receptacle³
AO Field Adjustable Output
DM 0-10V Dimmable Driver
PCSS Solid-State Lighting Photocontrol
PCLL Solid-State Long Life Photocontrol
PCCC Solid-State Long Life Photocontrol with remote control on/off
SH Shorting Cap

Packages

(Blank) Standard Pack
JP Job Pack (36/pallet)

Accessories

ATBMHSS House Side Shield
ATBMLTS Light Trespass Shield
RKATBMMVOLTSPD ATBM Acuity SPD Replacement Kit MVOLT
RKATBMHVSPD ATBM Acuity SPD Replacement Kit 347/480V
RKATBMMVOLTMP ATBM MOV Pack Replacement Kit
RKATBMMVOLTIL ATBM IL SPD Replacement Kit

Notes:

- Not available with G and H performance packages
- Dimmable Driver included. Not available with AO, DM or NR
- Not available with P5, P7, 347 or 480 Volt
- Not available with DM, P5 or P7
- Controls by others. Not available with AO
- MVOLT only
- Not available with PCSS or PCLL



AEL Headquarters, 3825 Columbus Road, Granville, OH 43023
 www.americanelectriclighting.com

© 2014-2016 Acuity Brands Lighting, Inc. All Rights Reserved. 02/18/16

Warranty Five-year limited warranty. Complete warranty terms located at: www.acuitybrands.com/CustomResources/Terms_and_conditions.aspx
 Actual performance may differ as a result of end-user environment and application. Specifications subject to change without notice.

Please contact your sales representative for the latest product information.

ATBM

Autobahn Series ATBM

Roadway

PERFORMANCE PACKAGE

Performance Package	Distribution	4000 K CCT			LLD @ 25°C		
		Lumens	Input Watts	LPW	50K Hours	75K Hours	100K Hours
A	R2	7,114	60	118	89	84	80
	R3	7,024		117			
	R4	6,958		116			
	R5	7,469		124			
B	R2	8,090	70	115	89	84	80
	R3	8,016		114			
	R4	7,924		113			
	R5	8528		121			
C	R2	9031	81	112	89	84	80
	R3	8,942		111			
	R4	8,827		110			
	R5	9,517		118			
D	R2	11,769	95	124	90	87	84
	R3	11,690		123			
	R4	11,534		121			
	R5	12,388		130			
E	R2	13,601	115	118	90	87	84
	R3	13,416		117			
	R4	13,323		116			
	R5	14,263		124			
F	R2	15,932	133	120	90	86	83
	R3	15,741		118			
	R4	15,476		116			
	R5	16,691		125			
G	R2	17,102	150	114	90	86	83
	R3	16,974		113			
	R4	16,635		111			
	R5	17,938		119			
H	R2	18,085	164	111	90	86	83
	R3	17,929		110			
	R4	17,439		107			
	R5	18,966		116			



AEL Headquarters, 3825 Columbus Road, Granville, OH 43023
www.americanelectriclighting.com

© 2014-2016 Acuity Brands Lighting, Inc. All Rights Reserved. 02/18/16

Warranty Five-year limited warranty. Complete warranty terms located at: www.acuitybrands.com/CustomerResources/Terms_and_conditions.aspx
Actual performance may differ as a result of end-user environment and application. Specifications subject to change without notice.

Please contact your sales representative for the latest product information.

ATBM

Catalog Number	
Notes	Type

FEATURES & SPECIFICATIONS

CONSTRUCTION — Weldable-grade (ASTM A-595 Grade A) hot-rolled, commercial-quality carbon steel tubing with a minimum yield of 55,000 psi. Uniform wall thickness of 11-gauge (0.1196") or 7-gauge (0.1793"). Shafts are one-piece construction with a full-length, longitudinal, high-frequency electric resistance weld. Round in cross-section having a uniform taper of approximately .14" per foot.

Anchor base is fabricated from hot-rolled carbon steel plate that conforms to ASTM A36 that meets or exceeds a minimum yield strength of 36,000 psi.

Rectangular reinforced handhole having nominal dimensions of 3" x 5" for 5.9" shafts and oval shaped 4" x 6.5" for all other shafts. Cover with attachment screws included. Handhole is located 18" above the base.

Weatherproof, removable top cap provided.

Fasteners are high-strength galvanized, zinc-plated or stainless steel.

FINISH — Must specify finish.

GROUNDING — Provision located inside handhole rim. Grounding hardware is not included (provided by others).

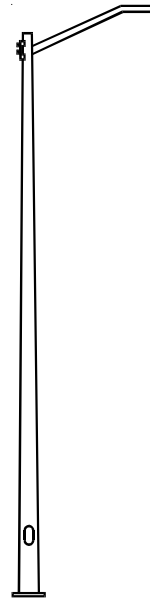
ANCHOR BOLTS — Fabricated from commercial-quality, hot-rolled carbon steel with minimum yield strength of 55,000 psi. Top portion of anchor bolt is galvanized per ASTM A-153.

ARM CONSTRUCTION — Body is 2-3/8" O.D. (2" NPS, Schedule 40) galvanized steel tube (with a minimum yield strength of 36,000 psi).

Welding follows AWS standards. Arms are galvanized after fabrication.

ARM HARDWARE — Mounting plate is designed to be bolted to the shaft using a 1/2" steel bolt Simplex mount. Single-bolt, SMP (US4, US6, US8) or multi-bolt, MSMP design (US10, US12).

ARM FINISH — Finish to match pole shaft.



Anchor Base Poles/Mounting Arm Combo

RTSU

**ROUND TAPERED STEEL POLE
WITH MOUNTING ARM**
20' to 40' Fixture Mounting

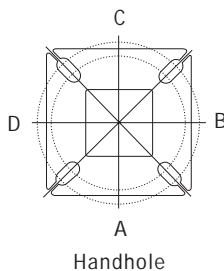
ORDERING INFORMATION

Lead times will vary depending on options selected. Consult with your sales representative.

Example: RTSU 25 7B SMP US4 GALV VD

Series	Nominal fixture mounting height	Nominal shaft base size/wall thickness	Mounting / Arm length ³	Options	Finish ⁴
RTSU	20 – 40 feet (see back page.)	(See back page.)	SMP US4 Single-bolt Simplex mount, 4' arm length SMP US6 Single-bolt Simplex mount, 6' arm length SMP US8 Single-bolt Simplex mount, 8' arm length MSMP US10 Multi-bolt Simplex mount, 10' arm length MSMP US12 Multi-bolt Simplex mount, 12' arm length	<u>Shipped installed</u> L/AB Less anchor bolts FBC Full base cover VD Vibration damper TP Tamper proof H1-18Sxx Horizontal arm bracket (1 fixture) ^{1,2} FDLxx Festoon outlet less electrical ¹ CPL12xx 1/2" coupling ¹ CPL34xx 3/4" coupling ¹ CPL1xx 1" coupling ¹ NPL12xx 1/2" threaded nipple ¹ NPL34xx 3/4" threaded nipple ¹ NPL1xx 1" threaded nipple ¹ EHHxx Extra handhole ¹	<u>Standard colors</u> DDB Dark bronze DWH White DBL Black DMB Medium bronze DNA Natural aluminum GALV Galvanized finish <u>Classic colors</u> DSS Sandstone DGC Charcoal gray DTG Tennis green DBR Bright red DSB Steel blue <u>Architectural colors</u> (powder finish) ⁴

HANDHOLE ORIENTATION



NOTES:

- Specify location and orientation when ordering option.
For 1st "x": Specify the height in feet above base of pole.
Example: 5ft = 5 and 20ft = 20
For 2nd "x": Specify orientation from handhole (A,B,C,D)
Refer to the Handhole Orientation diagram above.
- Horizontal arm is 18" x 2-3/8" O.D. tenon standard.
- Some restrictions may apply, see back page for details.
- Finish must be specified. Additional colors available; see www.lithonia.com/archcolors or Architectural Colors brochure (Form No. 794.3). Powder finish standard.

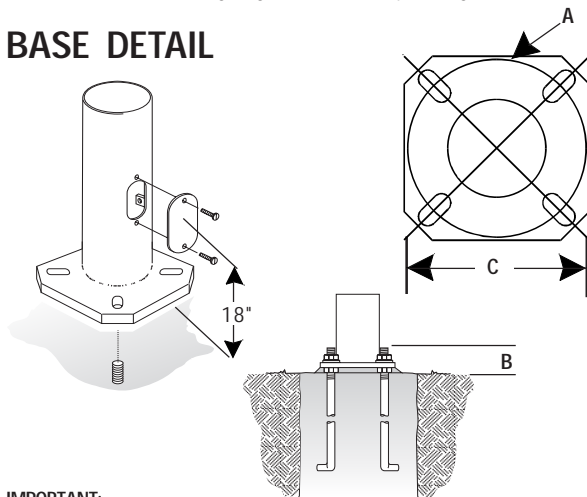
RTSU Round Tapered Steel Poles with Mounting Arm

TECHNICAL INFORMATION

Lithonia Catalog Number	Nominal Fixture Mtg. Height ¹ (feet)	Mtg. Arm length (feet)	Pole Base Diameter (.14 taper rate)	Wall thickness (in.)	EPA ft ² w/1.3 gust up to 100 mph	Max weight (lbs)	Bolt Circle (in.)	Bolt Size (inches)	Apprx. Ship Wt. (lbs)
RTSU 20 5-9B SMP US4	20'	4'	5.9"	0.120	2	76	9.0	1 x 36 x 4	140
RTSU 20 5-9B SMP US6	20'	6'	5.9"	0.120	2	76	9.0	1 x 36 x 4	140
RTSU 20 5-9B SMP US8	20'	8'	5.9"	0.120	2	76	9.0	1 x 36 x 4	140
RTSU 25 5-9B SMP US4	25'	4'	5.9"	0.120	2	76	9.0	1 x 36 x 4	205
RTSU 25 5-9B SMP US6	25'	6'	5.9"	0.120	2	76	9.0	1 x 36 x 4	205
RTSU 25 5-9B SMP US8	25'	8'	5.9"	0.120	2	76	9.0	1 x 36 x 4	205
RTSU 30 6-6B SMP US4	30'	4'	6.5"	0.120	2	76	9.5	1 x 36 x 4	250
RTSU 30 6-6B SMP US6	30'	6'	6.5"	0.120	2	76	9.5	1 x 36 x 4	250
RTSU 30 6-6B SMP US8	30'	8'	6.5"	0.120	2	76	9.5	1 x 36 x 4	250
RTSU 35 7-3B SMP US4	35'	4'	7.3"	0.120	2	76	10.5	1 x 36 x 4	300
RTSU 35 7-3B SMP US6	35'	6'	7.3"	0.120	2	76	10.5	1 x 36 x 4	300
RTSU 35 7-3B SMP US8	35'	8'	7.3"	0.120	2	76	10.5	1 x 36 x 4	300
RTSU 40 9-08 SMP US4	40'	4'	9"	0.120	2	76	12.5	1 x 36 x 4	405
RTSU 40 9-08 SMP US6	40'	6'	9"	0.120	2	76	12.5	1 x 36 x 4	405
RTSU 40 9-08 SMP US8	40'	8'	9"	0.120	2	76	12.5	1 x 36 x 4	405
RTSU 20 5-9B SMP 2US4	20'	4'	5.9"	0.120	2	76	9.0	1 x 36 x 4	240
RTSU 20 5-9B SMP 2US6	20'	6'	5.9"	0.120	2	76	9.0	1 x 36 x 4	240
RTSU 20 5-9B SMP 2US8	20'	8'	5.9"	0.120	2	76	9.0	1 x 36 x 4	240
RTSU 25 5-9B SMP 2US4	25'	4'	5.9"	0.120	2	76	9.0	1 x 36 x 4	255
RTSU 25 5-9B SMP 2US6	25'	6'	5.9"	0.120	2	76	9.0	1 x 36 x 4	255
RTSU 25 5-9B SMP 2US8	25'	8'	5.9"	0.120	2	76	9.0	1 x 36 x 4	255
RTSU 30 6-6B SMP 2US4	30'	4'	6.5"	0.120	2	76	9.5	1 x 36 x 4	300
RTSU 30 6-6B SMP 2US6	30'	6'	6.5"	0.120	2	76	9.5	1 x 36 x 4	300
RTSU 30 6-6B SMP 2US8	30'	8'	6.5"	0.120	2	76	9.5	1 x 36 x 4	300
RTSU 35 7-3B SMP 2US4	35'	4'	7.3"	0.120	2	76	10.5	1 x 36 x 4	350
RTSU 35 7-3B SMP 2US6	35'	6'	7.3"	0.120	2	76	10.5	1 x 36 x 4	350
RTSU 35 7-3B SMP 2US8	35'	8'	7.3"	0.120	2	76	10.5	1 x 36 x 4	350
RTSU 40 9-0B SMP 2US4	40'	4'	9"	0.120	2	76	12.5	1 x 36 x 4	455
RTSU 40 9-0B SMP 2US6	40'	6'	9"	0.120	2	76	12.5	1 x 36 x 4	455
RTSU 40 9-0B SMP 2US8	40'	8'	9"	0.120	2	76	12.5	1 x 36 x 4	455

1. Denotes fixture mounting height, NOT nominal pole height.

BASE DETAIL



IMPORTANT:
 • These specifications are intended for general purposes only. Lithonia reserves the right to change material or design, without prior notice, in a continuing effort to upgrade its products.

POLE DATA

Shaft base size	Bolt circle A	Bolt projection B	Base square C	Template description	Anchor bolt description
5.9"	9"	3.50" - 4.25"	10"	ABTEMPLATE PJ50075	AB36-0
6.5"	9.5"	3.50" - 4.25"	10.5"	ABTEMPLATE PJ50074	AB36-0
7.0"	10"	3.50" - 4.25"	10.875"	ABTEMPLATE PJ50077	AB36-0
7.3"	10.5"	3.50" - 4.25"	11.25"	ABTEMPLATE PJ50133	AB36-0
7.5"	10.5"	3.50" - 4.25"	11.25"	ABTEMPLATE PJ50133	AB36-0
8.5"	11.5"	3.75" - 4.50"	12"	ABTEMPLATE PJ50082	AB36-0
9.0"	12.5"	3.75" - 4.50"	12.375"	ABTEMPLATE PJ50085	AB36-0
9.5"	13"	4.00" - 4.50"	13"	ABTEMPLATE PJ50134	AB36-0
10.0"	13.5"	4.00" - 4.50"	14"	ABTEMPLATE PJ50135	AB36-0
10.5"	14"	4.50" - 5.00"	14.5"	ABTEMPLATE PJ50136	AB42-0

IMPORTANT:
 • Do not erect poles without having fixtures installed.
 • Factory-supplied templates must be used when setting anchor bolts. Lithonia will not accept claim for incorrect anchorage placement due to failure to use factory template.
 • If poles are stored outside, all protective wrapping must be removed immediately upon delivery to prevent finish damage.

IN-LINE WATERTIGHT FUSE HOLDERS

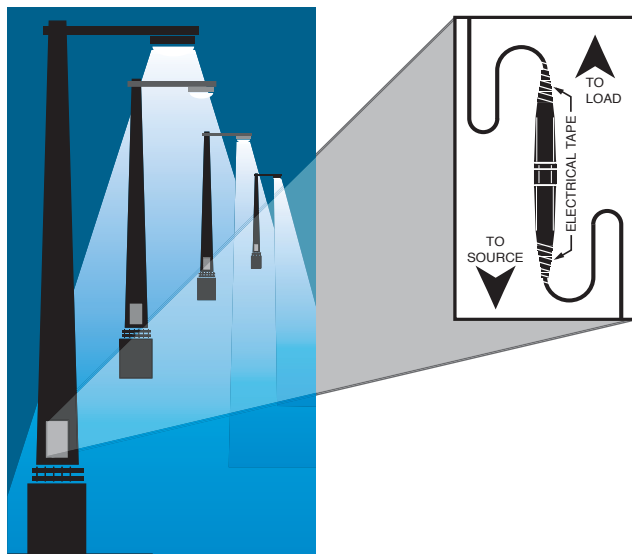


Description

Recently redesigned, the Littelfuse 600 V in-line watertight fuse holders allow maximum protection for high humidity and corrosive environments. The fuse holders are designed to be touch-safe and flexible for use in a variety of applications. See the list below for the redesigned part numbers.

Applications

- Street lighting and parking lot lighting
- Sports lighting and various outdoor illuminated signs
- Boat electrical circuits, tractors/yard equipment and general outdoor circuit protection (such as traffic signals, alley lighting and electric wheelchairs)



Specifications

- Voltage rating** 600 V
- Ampere rating** up to 30 A
- Interrupting rating** 200 kA rms symmetrical (with Class CC fuses)
- Approvals**
 - LEB/LEX series** UL Recognized Miscellaneous Fuse holder per UL UL 4248 (File: E14721) CSA Certified per C22.2, No. 39 (File: LR7316)
 - LEC/LEY series** UL Listed Class CC Branch Circuit Fuse holder per UL 512 (File: E14721) CSA Certified per C22.2, No. 39 (File: LR7316)

Features/Benefits

- Design increases safety by facilitating individual device disconnection for easy servicing, eliminating shock risk
- Increases efficiency by preventing faulted ballast from severely damaging fixture or device
- Designed to meet IP67 touch-safe standards
- Watertight o-ring seal
- Variety of terminations available for flexible design
- Insulating boots available for harsh environments

Recommended Fuses

- LEB/LEX series:**
Class CC Series: CCMR, KLDR, KLKR
Midget Series: BLF, BLN, FLM, FLQ, KLK, KLKD

- LEC/LEY series:**
Class CC Series: CCMR, KLDR, KLKR

Web Resources

Sample requests, downloadable CAD drawings and other technical information: Littelfuse.com/in-line

Look for these part numbers featuring our improved design

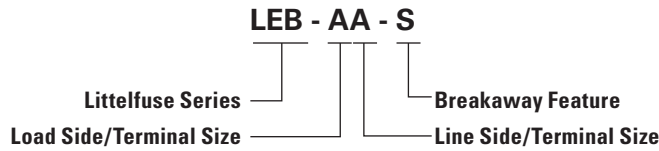
- Better surface area for ergonomic comfort, improved grip and better torque
- More pronounced seating – automatically seats as user begins twisting
- Chamfered edges for additional installation comfort

BASE PART NUMBER	PREVIOUS ORDERING NUMBER	NEW ORDERING NUMBER
LEB-AA	OLEB00AAX	OLEB00AAXK
LEB-AA-S	OLEB00AASX	OLEB00AASXK
LEB-AB	OLEB00ABX	OLEB00ABXK
LEB-AYC-S	OLEBAYCSX	OLEBAYCSXK
LEB-BB	OLEB00BBX	OLEB00BBXK
LEB-JJ	OLEB00JJX	OLEB00JJXK
LEB-JJ-S	OLEB00JJSX	OLEB00JJSXK

IN-LINE WATERTIGHT FUSE HOLDERS

Ordering Information

To order Littelfuse in-line fuse holders by part number, refer to the charts on the next page.



SERIES	DESCRIPTION
LEB	One-pole in-line fuse holder for Midget and Class CC fuses
LEC	One-pole in-line fuse holder for Class CC fuses
LET	One-pole in-line fuse holder with permanently installed solid neutral
LEX	Two-pole in-line fuse holder for Midget and Class CC fuses
LEY	Two-pole in-line fuse holder for Class CC fuses



Insulating Boots

- Molded from engineering-grade thermoplastics which provide high resistance to corrosive environments
- For watertight protection of non-breakaway Y-pole termination, order one WPB1 and one WPB3 boot

ORDERING NUMBER	TERMINAL TYPE
WPB1	A, B, C, D, J
WPB3	Y

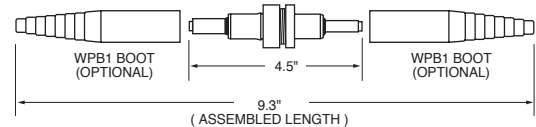
Recommended Crimping Tools

The following crimping tools or equivalents may be used on either the non-breakaway or breakaway watertight in-line fuse holders.

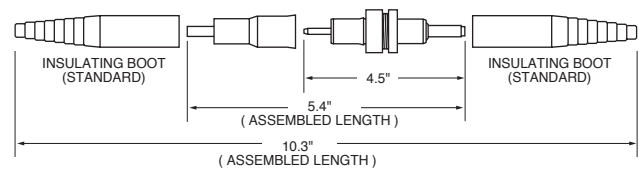
TERMINAL SIZE	T&B PART NUMBER	BURNDY PART NUMBER
A	WT161M	-
B	WT161M	MR4C
C	M5-GREY	Hypress Y34A
D	M5-BROWN	Hypress Y34A

Dimensions Inches

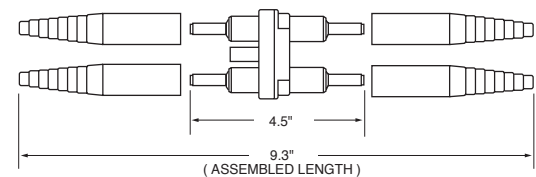
1-Pole



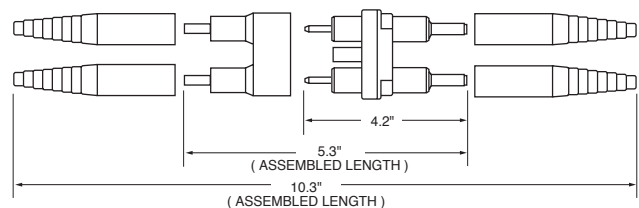
1-Pole Breakaway



2-Pole



2-Pole Breakaway



IN-LINE WATERTIGHT FUSE HOLDERS

Ordering Information (1-Pole LEB/LEC and 2-Pole LEX/LEY for Class CC and Midget Fuses)

SINGLE POLE		DOUBLE POLE		LOAD TERMINAL SELECTION					LINE TERMINAL SELECTION				
STANDARD PART NUMBER	BREAKAWAY PART NUMBER	STANDARD PART NUMBER	BREAKAWAY PART NUMBER	TERMINAL TYPE	WIRE SIZE RANGE	WIRES PER TERMINAL	SOLID WIRE	STRANDED WIRE	TERMINAL TYPE	WIRE SIZE RANGE	WIRES PER TERMINAL	SOLID WIRE	STRANDED WIRE
LEB-AA LEC-AA	LEB-AA-S LEC-AA-S	LEX-AA LEY-AA	LEX-AA-S LEY-AA-S	Copper Crimp	#12 to #8 #12	1 2	• •	• •	Copper Crimp	#12 to #8 #12	1 2	• •	• •
LEB-AB LEC-AB	LEB-AB-S LEC-AB-S	LEX-AB LEY-AB	LEX-AB-S LEY-AB-S	Copper Crimp	#12 to #8 #12	1 2	• •	• •	Copper Crimp	#10 #6 #4	2 1 1	• • —	• • •
LEB-AC LEC-AC	— —	LEX-AC LEY-AC	— —	Copper Crimp	#12 to #8 #12	1 2	• •	• •	Copper Crimp	#8 #4	2 1	• —	• •
LEB-AD LEC-AD	— —	LEX-AD LEY-AD	— —	Copper Crimp	#12 to #8 #12	1 2	• •	• •	Copper Crimp	#6 #2	2 1	• —	• •
LEB-AJ LEC-AJ	LEB-AJ-S LEC-AJ-S	— —	— —	Copper Crimp	#12 to #8 #12	1 2	• •	• •	Copper Set-Screw	#12 to #8 #10 to #2	1 1	• —	— •
LEB-AYC LEC-AYC	LEB-AYC-S LEC-AYC-S	LEX-AYC LEY-AYC	LEX-AYC-S LEY-AYC-S	Copper Crimp	#12 to #8 #12	1 2	• •	• •	"Y" Type Copper Set-Screw	#12 to #8 #10 to #2	1 1	• —	— •
LEB-BA LEC-BA	LEB-BA-S LEC-BA-S	LEX-BA LEY-BA	LEX-BA-S LEY-BA-S	Copper Crimp	#10 #6 #4	2 1 1	• • —	• • •	Copper Crimp	#12 to #8 #12	1 2	• • •	• • •
LEB-BB LEC-BB	LEB-BB-S LEC-BB-S	LEX-BB LEY-BB	LEX-BB-S LEY-BB-S	Copper Crimp	#10 #6 #4	2 1 1	• • —	• • •	Copper Crimp	#10 #6 #4	2 1 1	• • —	• • •
LEB-BC LEC-BC	— —	LEX-BC LEY-BC	— —	Copper Crimp	#10 #6 #4	2 1 1	• • —	• • •	Copper Crimp	#8 #4	2 1	• —	• •
LEB-BD LEC-BD	— —	LEX-BD LEY-BD	— —	Copper Crimp	#10 #6 #4	2 1 1	• • —	• • •	Copper Crimp	#6 #2	2 1	• —	• •
LEB-BJ LEC-BJ	LEB-BJ-S LEC-BJ-S	— —	— —	Copper Crimp	#10 #6 #4	2 1 1	• • —	• • •	Copper Set-Screw	#12 to #8 #10 - #2	1 1	• —	— •
LEB-BYC LEC-BYC	LEB-BYC-S LEC-BYC-S	LEX-BYC LEY-BYC	LEX-BYC-S LEY-BYC-S	Copper Crimp	#10 #6 #4	2 1 1	• • —	• • •	"Y" Type Copper Set-Screw	#12 to #8 #10 - #2	1 1	• —	— •
LEB-CA LEC-CA	— —	LEX-CA LEY-CA	— —	Copper Crimp	#8 #4	2 1	• —	• •	Copper Crimp	#12 to #8 #12	1 2	• •	• •
LEB-CB LEC-CB	— —	LEX-CB LEY-CB	— —	Copper Crimp	#8 #4	2 1	• —	• •	Copper Crimp	#10 #6 #4	2 1 1	• • —	• • •
LEB-CC LEC-CC	— —	LEX-CC LEY-CC	— —	Copper Crimp	#8 #4	2 1	• —	• •	Copper Crimp	#8 #4	2 1	• —	• •
LEB-CD LEC-CD	— —	LEX-CD LEY-CD	— —	Copper Crimp	#8 #4	2 1	• —	• •	Copper Crimp	#6 #2	2 1	• —	• •
LEB-CJ LEC-CJ	— —	LEX-CJ LEY-CJ	— —	Copper Crimp	#8 #4	2 1	• —	• •	Copper Set-Screw	#12 to #8 #10 - #2	1 1	• —	• •
LEB-CYC LEC-CYC	— —	LEX-CYC LEY-CYC	— —	Copper Crimp	#8 #4	2 1	• —	• •	"Y" Type Copper Set-Screw	#12 to #8 #10 to #2	1 1	• —	— •
LEB-DA LEC-DA	— —	LEX-DA LEY-DA	— —	Copper Crimp	#6 #2	2 1	• —	• •	Copper Crimp	#12 to #8 #12	1 2	• •	— •
LEB-DB LEC-DB	— —	LEX-DB LEY-DB	— —	Copper Crimp	#6 #2	2 1	• —	• •	Copper Crimp	#10 #6 #4	2 1 1	• • —	• • •
LEB-DC LEC-DC	— —	LEX-DC LEY-DC	— —	Copper Crimp	#6 #2	2 1	• —	• •	Copper Crimp	#8 #4	2 1	• —	• •
LEB-DD LEC-DD	— —	LEX-DD LEY-DD	— —	Copper Crimp	#6 #2	2 1	• —	• •	Copper Crimp	#6 #2	2 1	• —	• •
LEB-DJ LEC-DJ	— —	LEX-DJ LEY-DJ	— —	Copper Crimp	#6 #2	2 1	• —	• •	Copper Set-Screw	#12 to #8 #10 - #8	2 1	• —	• •
LEB-DYC LEC-DYC	— —	LEX-DYC LEY-DYC	— —	Copper Crimp	#6 #2	2 1	• —	• •	"Y" Type Copper Set-Screw	#12 to #8 #10 to #8	1 1	• —	— •
LEB-JJ LEC-JJ	LEB-JJ-S LEC-JJ-S	LEX-JJ LEY-JJ	LEX-JJ-S LEY-JJ-S	Copper Set-Screw	#12 to #8 #10 to #2	1 1	• •	— •	Copper Set-Screw	#12 to #8 #10 to #2	1 1	• —	— •
LEB-JYC LEC-JYC	LEB-JYC-S LEC-JYC-S	— —	— —	Copper Set-Screw	#12 to #8 #10 to #2	1 1	• —	— •	"Y" Type Copper Set-Screw	#12 to #8 #10 to #2	1 1	• —	— •

IN-LINE WATERTIGHT FUSE HOLDERS

Ordering Information (Solid Neutral LET Fuse Holders)

STANDARD PART NUMBER	BREAKAWAY PART NUMBER	FUSE TYPE	LOAD TERMINAL SELECTION					LINE TERMINAL SELECTION				
			TERMINAL TYPE	WIRE SIZE RANGE	WIRES PER TERMINAL	SOLID WIRE	STRANDED WIRE	TERMINAL TYPE	WIRE SIZE RANGE	WIRES PER TERMINAL	SOLID WIRE	STRANDED WIRE
LET-AA	LET-AA-S	Solid Neutral	Copper Crimp	#12 to #8 #12	1 2	• •	• •	Copper Crimp	#12 to #8 #12	1 2	• •	• •
LET-AB	LET-AB-S	Solid Neutral	Copper Crimp	#12 to #8 #12	1 2	• •	• •	Copper Crimp	#10 #6 #4	2 1 1	• • —	• • •
LET-AYC	LET-AYC-S	Solid Neutral	Copper Crimp	#12 to #8 #12	1 2	• •	• •	"Y" Type Copper Set-Screw	#12 to #8 #10 to #2	1 1	• —	— •
LET-BA	LET-BA-S	Solid Neutral	Copper Crimp	#10 #6 #4	2 1 1	• • —	• • •	Copper Crimp	#12 to #8 #12	1 2	• •	• •
LET-BB	LET-BB-S	Solid Neutral	Copper Crimp	#10 #6 #4	2 1 1	• • —	• • •	Copper Crimp	#10 #6 #4	2 1 1	• • —	• • •
LET-BYC	LET-BYC-S	Solid Neutral	Copper Crimp	#10 #6 #4	2 1 1	• • —	• • •	"Y" Type Copper Set-Screw	#12 to #8 #10 to #2	1 1	• —	— •
LET-JJ	LET-JJ-S	Solid Neutral	Copper Set-Screw	#12 to #8 #10 to #2	1 1	• —	— •	Copper Set-Screw	#12 to #8 #10 to #2	1 1	• —	— •
LET-JYC	LET-JYC-S	Solid Neutral	Copper Set-Screw	#12 to #8 #10 to #2	1 1	• —	— •	"Y" Type Copper Set-Screw	#12 to #8 #10 to #2	1 1	• —	— •

Ordering Information (Terminals)

TERMINAL DESIGNATION	TERMINAL DESCRIPTION	WIRES PER TERMINAL	WIRE RANGE	SOLID WIRE	STRANDED WIRE
A	Copper Crimp	1	#12-#8	•	•
		2	#12	•	•
B	Copper Crimp	2	#10	•	•
		1	#6	•	•
		1	#4	—	•
C	Copper Crimp	2	#8	•	•
		1	#4	—	•
D	Copper Crimp	2	#6	•	•
		1	#2	—	•
J	Copper Set-Screw	1	#12-#8	•	—
		1	#10-#2	—	•
Y (2 terminals)	"Y" Style Copper Set-Screw	1	#12-#8	•	—
		1	#10-#2	—	•

Axial Lead and Cartridge Fuses

Midget

AC Fast-Acting Type KLK Series

UL SR QPL

Fast-acting fuses designed for use in circuits with high AC fault current capacity or where military approval is required.

ELECTRICAL CHARACTERISTICS:

% of Ampere Rating	Ampere Rating	Opening Time
135%	1/10–30	1 hour, Maximum
200	1/10–30	2 minutes, Maximum

AGENCY APPROVALS: Listed by Underwriters Laboratories and Certified by CSA from $\frac{3}{10}$ through 30 amperes.

INTERRUPTING RATING:

100,000 amperes (capable of 200,000) at 600VAC.

MILITARY TYPE F60C INTERRUPTING RATINGS:

200,000 amperes at 500VAC

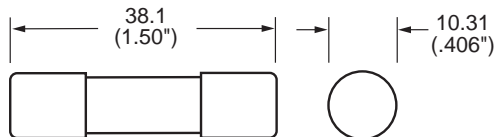
150,000 amperes at 500VDC

FUSES TO MIL SPEC: See F60C type in Military Section.

PATENTED

ORDERING INFORMATION:

Cartridge Catalog Number	Ampere Rating	Voltage Rating	Nominal Resistance Cold Ohms
KLK 1/10	.100	600	85.5
KLK 1/8	.125	600	65.0
KLK 2/10	.200	600	30.9
KLK 1/4	.250	600	22.0
KLK 3/10	.300	600	16.2
KLK 1/2	.500	600	7.99
KLK 3/4	.750	600	.398
KLK 1	1	600	.249
KLK 1 1/2	1.5	600	.132
KLK 2	2	600	.129
KLK 2 1/2	2.5	600	.0989
KLK 3	3	600	.0773
KLK 3 1/2	3.5	600	.0613
KLK 4	4	600	.0511
KLK 5	5	600	.0357
KLK 6	6	600	.0261
KLK 7	7	600	.0205
KLK 8	8	600	.0194
KLK 9	9	600	.0166
KLK 10	10	600	.0128
KLK 12	12	600	.0103
KLK 15	15	600	.0073
KLK 20	20	600	.00421
KLK 25	25	600	.00302
KLK 30	30	600	.002816



Average Time Current Curves

